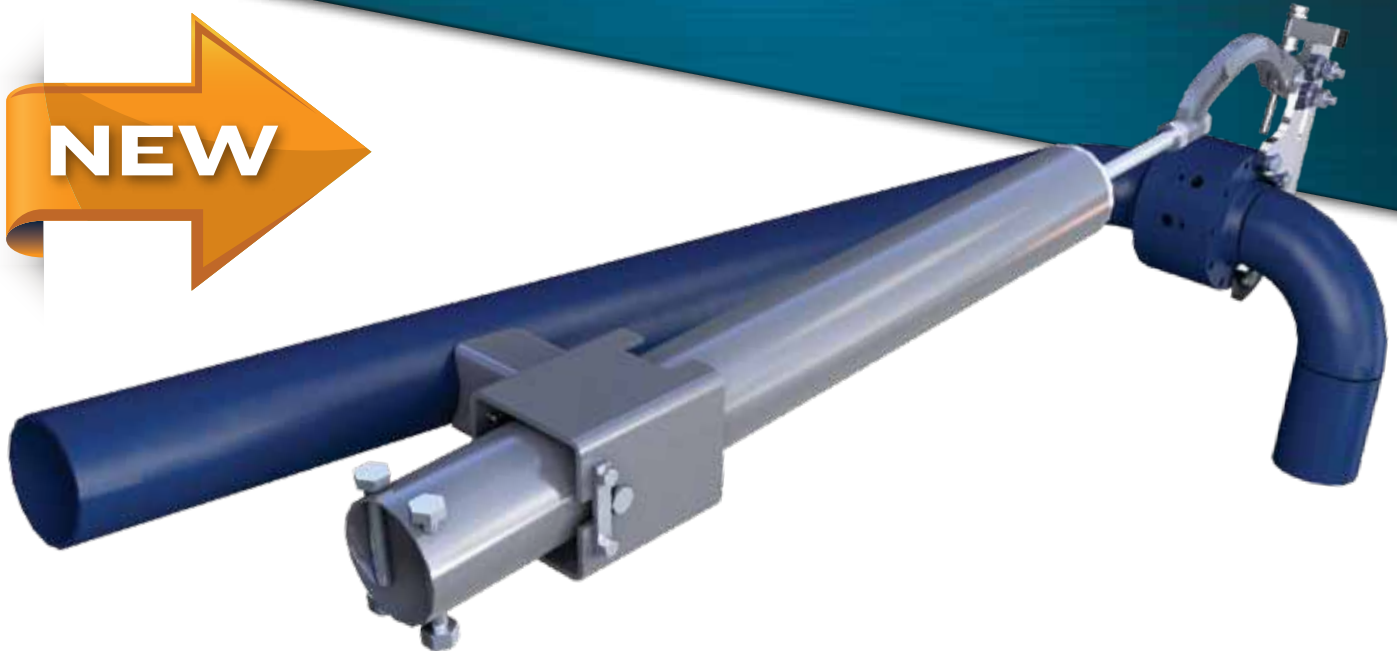


# L90 SERIES LOADING ARM COUNTERBALANCE

The L90 Series Counterbalance represents the best available technology in linear loading-arm counterbalancing. Today's applications demand higher spring loads to accommodate longer reaches and additional equipment that is commonly specified on loading arms. The L90 delivers on this while providing safe, easy and precise spring adjustment.



**NEW**



## FEATURES & BENEFITS

### Easy, Precise Adjustment

A simple turn of adjusting bolt provides finite adjustment to tune your loading arm to the desired balance point

### No Special Tools Required

Requires only a standard socket wrench

### Wide Range of Motion

Up to 110° of motion (70° up and 40° down)

### Stable Balancing

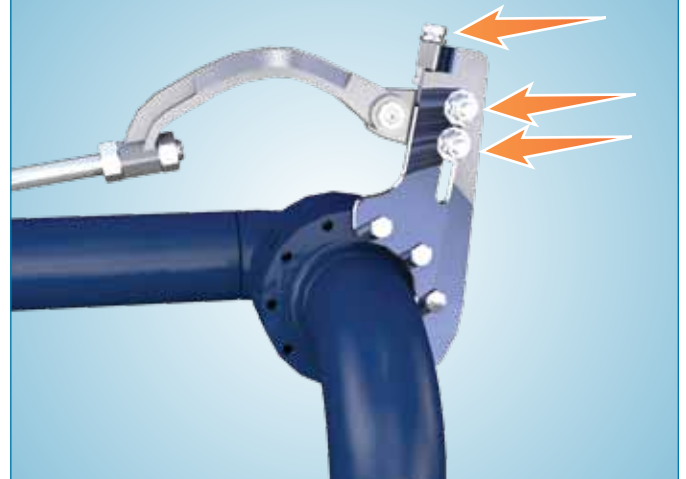
Through the entire range of motion

### Safe, Robust Design

Tested under full-load conditions for more than 100,000 cycles with no degradation in performance

## SAFE & EASY ADJUSTMENT

All adjustments are made from the back of the spring. Operator is never in harm's way.



© Copyright OPW-ES 7/2012

2726 Henkle Dr. | Lebanon, OH | 45036

T: 1-800-547-9393 | F: 513-932-9845

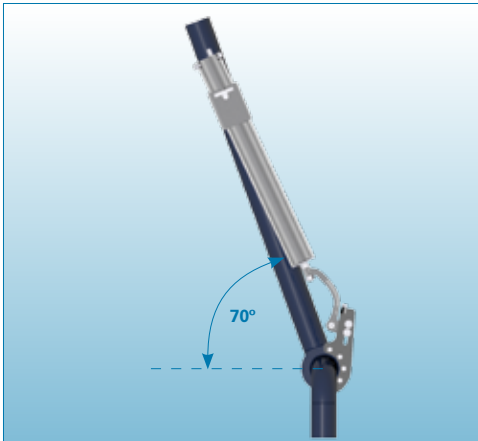
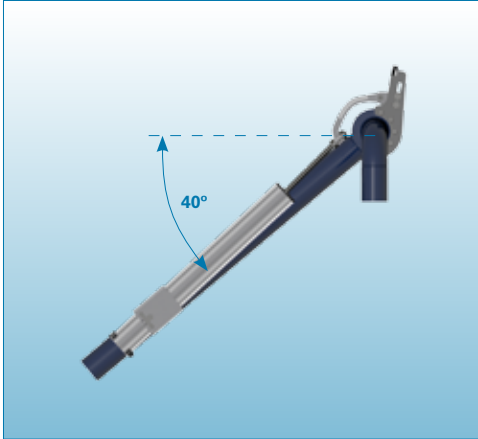
[www.opw-es.com](http://www.opw-es.com)



# L90 SERIES LOADING ARM COUNTERBALANCE

## RANGE OF MOTION

(Applicable to all swivel types and sizes)



## SPECIFICATIONS

**Type:** Right-Hand/Left-Hand Linear Loading Arm Counterbalance

**Working Temperature Range:** -20°F to 176°F (-46°C to +80°C)

### RIGHT-HANDED ARM

#	Qty	Description	2" DSF	3" DSF	4" DSF
1	1	Canister Assembly	L90A	L90A	L90A
2	1	Bracket Weldment	E20106R	E20105R	E20104R
3	2	Safety Lock	E20102RS	E20102RS	E20102RS
4	4	3/8" Bolt	H40191M	H40191M	H40191M
5	2	Retaining Ring	H30321M	H30321M	H30321M
6	1	Greasable Pin	H32394M	H32394M	H32394M
7	2	Washer	H30361M	H30361M	H30361M
8	1	Grease Fitting	H06713M	H06713M	H06713M
9	5 (4)	Metric Hex Head Bolts	H32335M	H32335M	H32079M
10	1	Bracket Assembly	L90-28R	L90-38R	L90-48R

• L90A, L90B, or L90C can be used

### LEFT-HANDED ARM

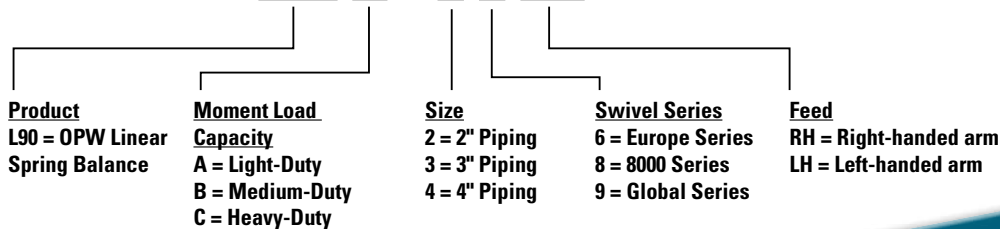
#	Qty	Description	2" DSF	3" DSF	4" DSF
1	1	Canister Assembly	L90A	L90A	L90A
2	1	Bracket Weldment	E20106L	E20105L	E20104L
3	2	Safety Lock	E20102RS	E20102RS	E20102RS
4	4	3/8" Bolt	H40191M	H40191M	H40191M
5	2	Retaining Ring	H30321M	H30321M	H30321M
6	1	Greasable Pin	H32394M	H32394M	H32394M
7	2	Washer	H30361M	H30361M	H30361M
8	1	Grease Fitting	H06713M	H06713M	H06713M
9	5 (4)	Metric Hex Head Bolts	H32335M	H32335M	H32079M
10	1	Bracket Assembly	L90-28L	L90-38L	L90-48L

• L90A, L90B, or L90C can be used

Load Capacity			
Light-Duty	White Springs	E20075A	7,000~11,000 in-lbs
Medium-Duty	Yellow Springs	E20075B	10,000~15,000 in-lbs
Heavy-Duty	Red Springs	E20075C	14,000~18,000 in-lbs

## SELECTION GUIDE

**L90 A - 4 8 RH**



2726 Henkle Dr. | Lebanon, OH | 45036

T: 1-800-547-9393 | F: 513-932-9845

www.opw-es.com

**opw**® **Engineered Systems**  
PART OF OPW FLUID TRANSFER GROUP  
A DOVER COMPANY